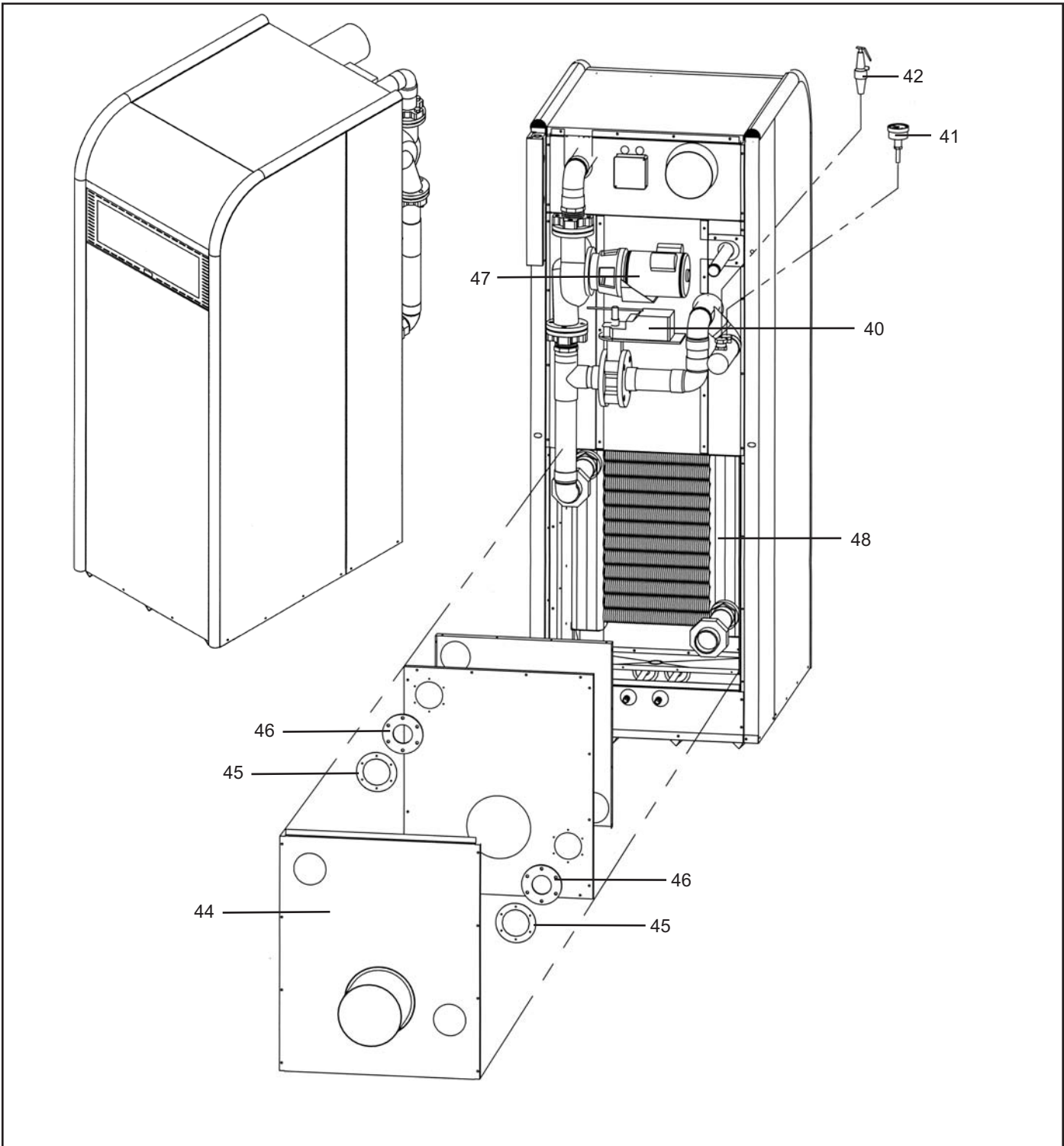




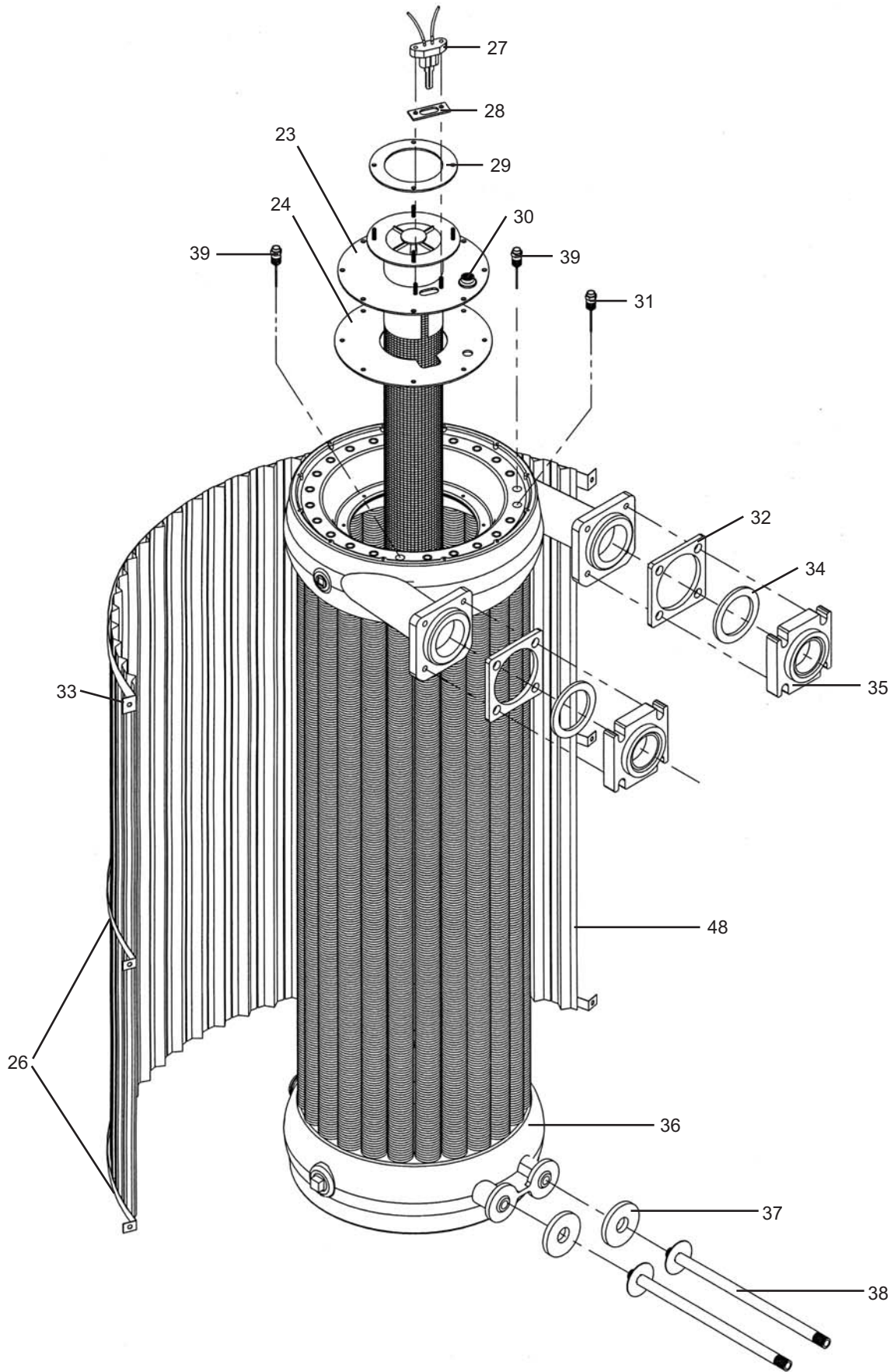
PARTS AND SERVICE DEPARTMENT
 Nashville, Tennessee
 615-889-8900 • Fax: 615-547-1000
 www.Lochinvar.com

Replacement Parts List

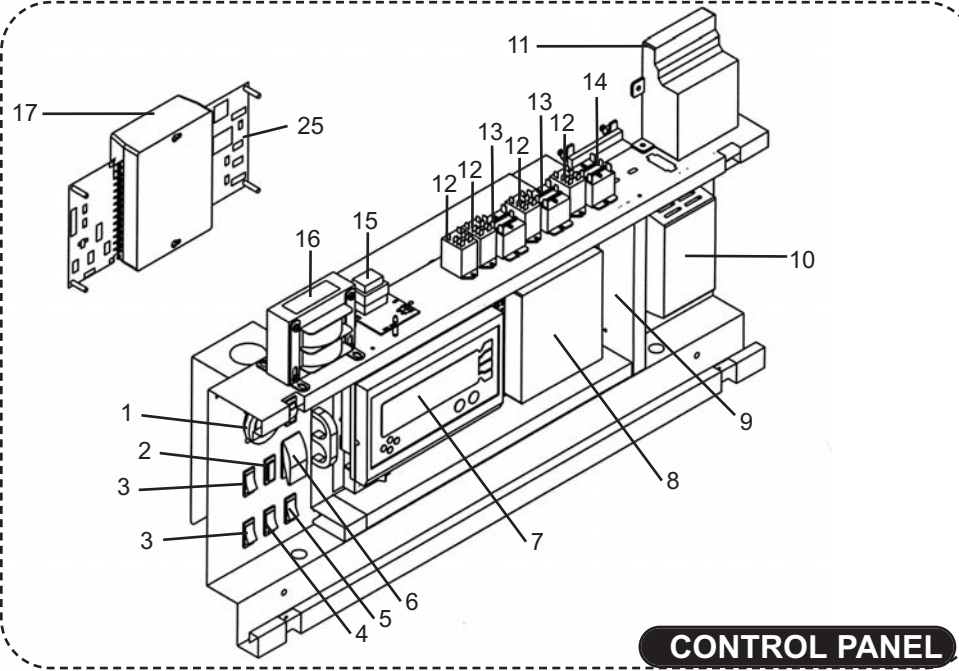
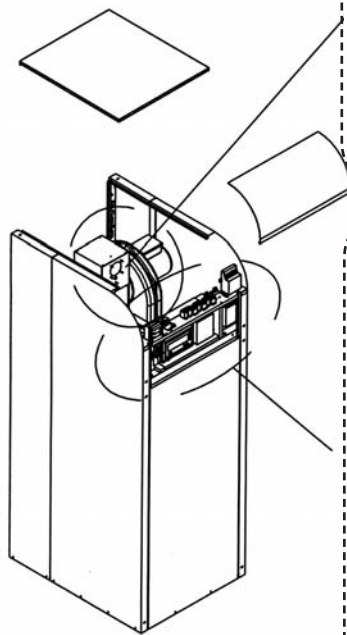
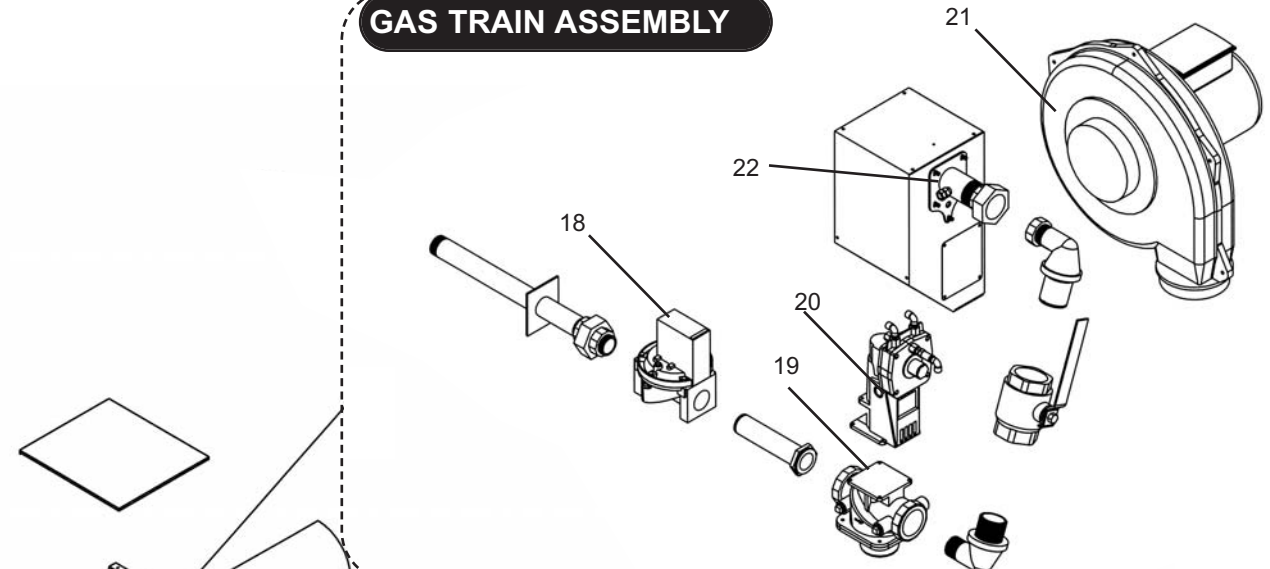
**Intelli-Fin®
 Boilers/Water Heaters
 IB/IW 1500, 1700, 2000**



HEAT EXCHANGER ASSEMBLY



GAS TRAIN ASSEMBLY



CONTROL PANEL

ITEM NO.	PART NO.	DESCRIPTION	MODEL NO.
CONTROLS			
1	HLC2702	High Limit, Manual Reset	ALL
2	LHT2001	Light, 24 VAC Indicator	ALL
3	SWT2001	Switch, On/Off	ALL
4	SWT2002	Switch, Momentary Off (Red)	ALL
5	SWT2003	Switch, Momentary Off (Black)	ALL
6	SWT2000	Switch, On/Off Power	ALL
7	RLY2717	Command Display	ALL
8	RLY2402	Module, Ignition	ALL
9	SWT2004	Switch, Round Pushbutton	ALL
10	RLY3020	Variable Frequency Drive	ALL
11	RLY2718	Module, Pulse to Analog	ALL
12	RLY2902	Relay, 24 Volt Control	ALL
13	RLY2708	Relay, Ignition Enable	ALL
14	RLY2706	Relay, Pump	ALL
15	WTR2530	Low Water Cut-Off Control	ALL
16	TRF2010	Transformer 120 volt	ALL
17	RLY3027	Interface Board/XL-10 Programmed	ALL
-	WRE3702	VFD Reset (ONLY USED WITH SP200)	ALL
-	MSC2549	Terminator Module	ALL

ITEM NO.	PART NO.	DESCRIPTION	MODEL NO.
GAS TRAIN ASSEMBLIES			
18	VAL2044	Valve, Main Gas	ALL
19	VAL2710	Valve, 1-1/2" Body Auto Proportioning	1500
19	VAL2711	Valve, 2" Body Auto Proportioning	1700-2000
20	VAL3004	Actuator Kit	ALL
21	FAN3006	FAN KIT	1500
21	FAN3007	FAN KIT	1700
21	FAN3008	FAN KIT	2000
22	GKT2000	Gasket, Orifice Holder	ALL
23	BNR3419	Burner Assembly	1500
23	BNR3420	Burner Assembly	1700
23	BNR3421	Burner Assembly	2000
24	GKT2102	Burner Gasket	ALL
25	RLY2043	Wing Boards	ALL
27	PLT3400	Ignitor, Hot Surface	ALL
28	GKT2012	Gasket, Ignitor	ALL
29	GKT2103	Gasket, Blower	ALL
30	MSC2731	Sight Glass	ALL
-	TST2409	Inlet/Outlet Bypass Sensor	ALL
-	WRE2143	Inlet Sensor Harness w/ Plug	ALL
-	WRE2135	Bypass/Outlet Assembly	ALL
HEAT EXCHANGERS			
36	HEX3060	Heat Exchanger (HLW)	IW1500
36	HEX3061	Heat Exchanger (HLW)	IW1700
36	HEX3062	Heat Exchanger (HLW)	IW2000
36	HEX3068	Heat Exchanger (H)	IB1500
36	HEX3069	Heat Exchanger (H)	IB1700
36	HEX3070	Heat Exchanger (H)	IB2000
48	HEX3067	Heat Exchanger, Secondary	ALL
31	TST2300	Bulbwell Thermostat, 3/8" (High Limit)	ALL
32	GKT2006	Gasket, Flange	ALL
33	JKH6431	Retainer Upper V-Baffle	ALL
26	JKH6828	Retainer Lower V-Baffle	ALL
34	GKT2006	Gasket, Top Header Flange	ALL
35	WTR4708	Flange, Cast	ALL
37	GKT2006	Gasket, Flange for Drain Valve	ALL
38	DRV3800	Drain Pipe Assembly	ALL
39	TST2306	Bulbwell Thermostat, 3/8"	ALL
48	JKH2012	V-Baffle	1500
48	JKH2013	V-Baffle	1700
48	JKH2014	V-Baffle	2000
MISCELLANEOUS			
40	VAL2058	Valve, Actuator Before Serial J04	ALL
40	VAL2158	Valve, Actuator Beginning Serial J04	ALL
41	GTP2900	Gauge, Pressure & Temperature	IB
41	GTP3000	Gauge, Temperature	IW
42	RLV2016	Valve, Temperature & Pressure	IW
42	RLV2003	Valve, Pressure 1"	IB 1500 & 1700
42	RLV2001	Valve, Pressure 3/4" (2 REQ'D)	IB2000
44	JKH6863	Jacket, Back Secondary HEX Access	ALL
45	JKH6818	Flange, Pipe	ALL
46	GKT2434	Grommet, Pipe	ALL
47	ARM3072PBF	Pump	IF
-	KIT3002	Pressure Switch	ALL
-	PRS2007	Pressure Switch (AFTER F05)	ALL
-	JKH6865	Door, Front Upper Outer	ALL
-	MSC2465	Circuit Breaker	ALL
-	LHT2000	Light, 24 VAC Indicator	ALL
-	SWT2005	Switch, Lever Handle	ALL
-	FIB2104	Insulation Top	ALL
-	FIB2105	Insulation Back	ALL
-	FIB2106	Insulation Front Door	1500
-	FIB2107	Insulation Front Door	1700
-	FIB2108	Insulation Front Door	2000
-	FIB2109	Insulation Front	1500
-	FIB2110	Insulation Front	1700
-	FIB2111	Insulation Front	2000
-	FIB2112	Insulation Side	1500
-	FIB2113	Insulation Side	1700
-	FIB2114	Insulation Side	2000
-	GKT2053	Gasket, Jacket	ALL
-	KIT3000	Neutralizing Kit Before K05	ALL
-	KIT3046	Neutralizing Kit After K05	ALL
-	MSC2796	Condensate Trap After K05	ALL
-	MSC2737	Blocked Drain	ALL
-	WRE2106	Communication Wire (Purchase by the foot)	ALL
-	WTR2140	Flow Switch	ALL